



RANKA ENGINEERING COMPANY

NH-8, Pasoond, Distt- Rajsamand ,
Rajasthan –INDIA

www.rankaengg.com

Call – 9680335480/8385091880

▶ Industrial Handrail Systems



A

B

O

U

T

U

S

Established in the year **2000**, our company **Ranka Engineering Company** is engaged in the sphere of manufacturing a wide range of Marble processing Machinery. Under the able guidance of our founder, **Mr. S. L. Ranka** , we have created a niche for ourselves.

Ranka Engineering Company is a full setup of workshop in Rajasmand to cater all type of fabrication and breakdown services of equipment's. We have a devoted and capable team of excellent qualified Industrial Engineers with rich industrial experience.

Our team of engineers work accordingly with the clients to understand their requirements and create construction solutions and customized designs.

Our products for engineering works are built in with extra ordinary specialty and durability.

The entire range is tested on various quality parameters to ensure defect free and highly effective conveyors and other equipment to our valued clients. We also provide complete customization to suit the varied requirements of the clients.

T
U
B
U
L
A
R
&
S
O
L
I
D
H
A
N
D
R
A
I
L
S
T
A
N
D
A
R
D
S



TUBULAR & SOLID HANDRAIL STANDARDS



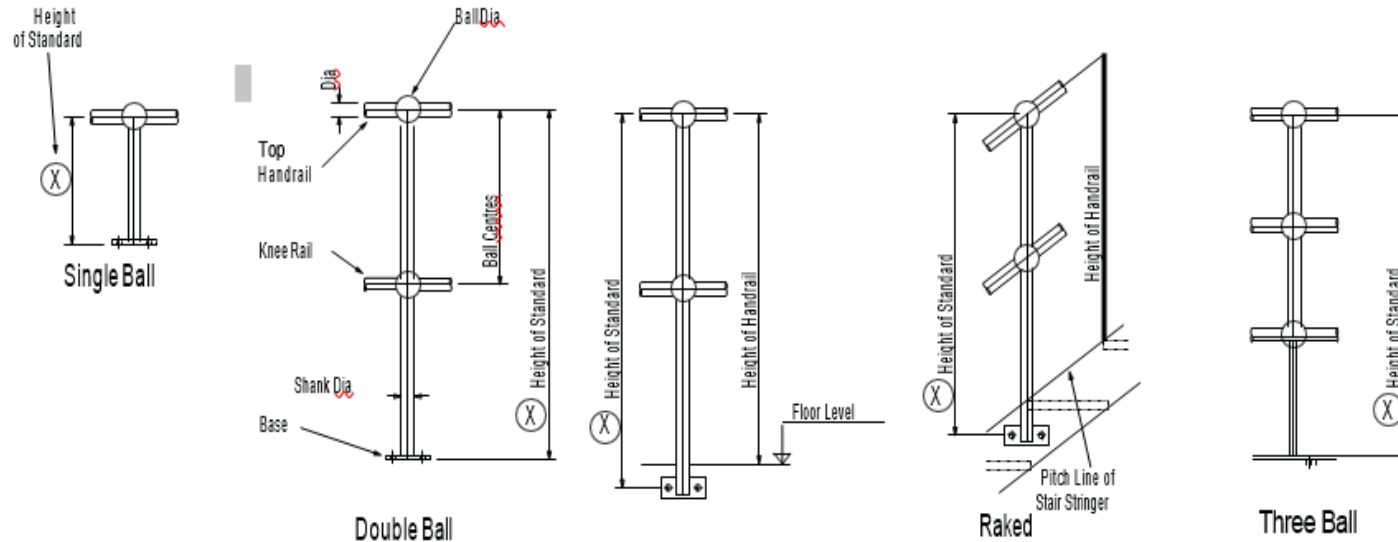


Load Table:

The table below shows the spacing of various type of 1100 mm high handrail standards to achieve required loadings for various codes of practice. Loads are unfactored - please contact our technical department should safety factored loading be required.

Handrail Standard	Handrail	Horizontal Design Load				
		0.22 kN/m	0.36 kN/m	0.50 kN/m	0.74 kN/m	1.00 kN/m
Tubular						
33.7 mm o.d. x 3.0 mm	33.7 mm o.d.	1650 mm	1075 mm	750 mm	-	-
42.4 mm o.d. x 3.0 mm	33.7 mm o.d.	2000 mm	1850 mm	1450 mm	1050 mm	-
42.4 mm o.d. x 3.0 mm	42.4 mm o.d.	2000 mm	1900 mm	1500 mm	1100 mm	-
48.3 mm o.d. x 3.0 mm	42.4 mm o.d.	2000 mm	2000 mm	2000 mm	1500 mm	1200 mm
48.3 mm o.d. x 4.0 mm	42.4 mm o.d.	2000 mm	2000 mm	2000 mm	1700 mm	1400 mm
60.3 mm o.d. x 4.0 mm	48.3 mm o.d.	2000 mm	2000 mm	2000 mm	2000 mm	1800 mm
Solid						
32 mm o.d.	33.7 mm o.d.	2000 mm	1350 mm	1100 mm	-	-
38 mm o.d.	42.4 mm o.d.	2000 mm	2000 mm	1800 mm	1400 mm	1100 mm
40 mm o.d.	42.4 mm o.d.	2000 mm	2000 mm	2000 mm	1650 mm	1250 mm

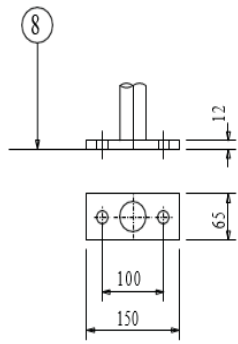
Types of standard:



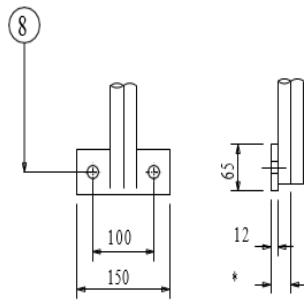
Handrail Standards

Guardrail Handrail standards can be manufactured in tubular or solid materials with varying outside diameters, tube wall thickness, ball sizes, ball types in a multiple of material grades in Mild Steel, Stainless Steel and Aluminum.

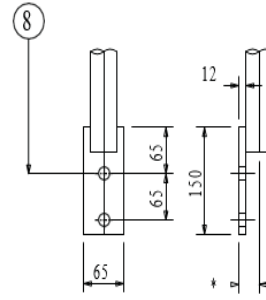
Many different heights, ball centers and tail lengths can be accommodated but to meet current regulations we would recommend a ball center of 500mm.



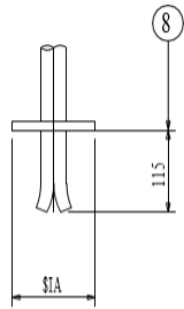
4YPE: '31



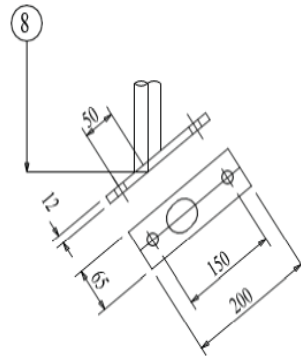
4YPE: '32



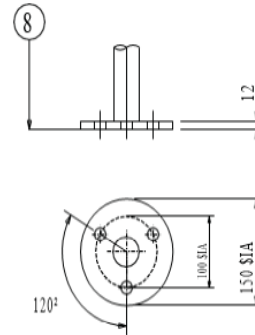
4YPE: '33



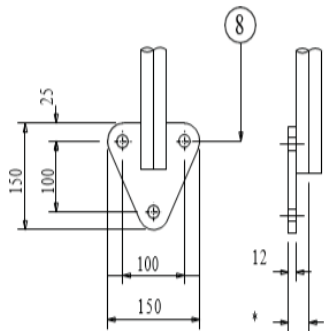
4YPE: '35



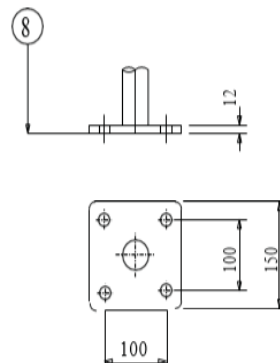
4YPE: '34



4YPE: '36



4YPE: '37

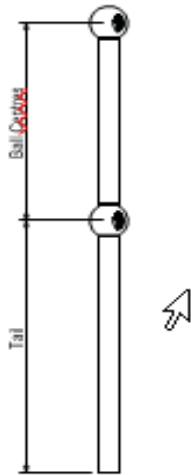


4YPE: '38

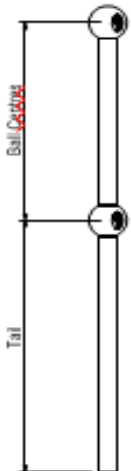


Ranka Engineering Company

- Alternative base thickness 10 mm, 15 mm and 20 mm. All dimensions are in millimeters.
- Hole Diameter in bases as requested (standard 18 mm). Other types available on request along with steel to steel or steel to concrete fixing bolts.



Tubular Sticks



Solid Fabricated Sticks



Loose Base plate

Standard industrial handrail components:

Tubular sticks:

Finish: Self colour (vented)
 Special and raked sticks on request
 Usually available ex-stock

Ball size	Rail size Outside diameter	Shank Outside Diameter
63	34	34
63	34	42
82	42	42
82	48	48
95	48	48

Solid fabricated sticks:

i.e. solid forged balls welded to solid bar shank
 Finish: Self colour
 Special and raked sticks on request
 Usually available ex-stock

Ball size	Rail size Outside diameter	Shank Outside Diameter
64	34	32
70	34	38
77	42	38

Tubular Ball fittings (Mild steel):

Also available in Gr 316 stainless steel and aluminium

Theoretical Size Outside Diameter	Actual size Outside diameter	Rail Size Outside Diameter
65	63	34
75	82	42
75/90	82	48
90	95	48



Solid forged balls (Mild steel):

Size Outside Diameter	Rail Size Outside Diameter
64	34
70	34
77	42

Loose Base plates:

65 x 12 Flat, 2 x 18 dia. holes.
 Others on request

O
U
R
T
E
A
M



S.L. Ranka (Founder)

He has completed his engineering diploma in 1974 from Govt college Udaipur in Mechanical stream. In starting of his career he has served in many industries as a technical advisor and served all across the nation.He has around 40 years of experience in engineering design and manufacturing industries.

His vast technical background help us to achieve superior quality in our works.



Mahaveer Ranka (Managing Director)

He started joining hands with Mr. S.L. Ranka in beginning of year 2000.

He has around 17 years of experience in engineering design and manufacturing industries for marble processing machineries.



Rakesh Ranka (Supervisor)

He has completed his engineering diploma in 2012 from Govt college Rajsamand in Electronics stream. Currently working as sales and support manager and helping in supervising support staff.



S.K. Chordia(Technical Advisor)

He has completed his engineering in year1999 from Govt college Kota in Mechanical stream. He has around 18 years of experience in metal fabrication industries.



RANKA ENGINEERING COMPANY

NH-8, Pasoond, Distt- Rajsamand ,
Rajasthan -INDIA www.rankaengg.com
Email-rakeshranka30@gmail.com/ info@rankaengg.com
Call – 9680335480/8385091880